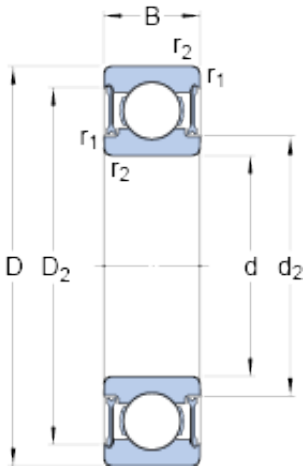




Shandong Zhongyue Precision Bearing C...



W 6200-2RZ Bearing 2D drawings and 3D CAD models

10 mm x 30 mm x 9 mm SKF W 6200-2RZ deep groove ball bearings

Bearing No. W 6200-2RZ

Size	30x10x9 mm
Bore Diameter	30 mm
Outer Diameter	10 mm
Width	9 mm
d	10 mm
D	30 mm
B	9 mm
d ₂	15.3 mm
D ₂	25.28 mm
r _{1,2} - min.	0.6 mm
D _a - max.	26 mm
r _a - max.	0.6 mm
Basic dynamic load rating - C	4.4 kN
Basic static load rating - C ₀	2.3 kN
Fatigue load limit - P _u	0.1 kN
Reference speed	60000 r/min
Limiting speed	30000 r/min
Calculation factor - k _r	0.03
Calculation factor - f ₀	12.9
d ₂	15.3 mm
D ₂	25.28 mm
r _{1,2} min.	0.6 mm
d _a min.	14 mm
d _a max.	15 mm



Shandong Zhongyue Precision Bearing C...

D_a max.	26 mm
r_a max.	0.6 mm
Basic dynamic load rating C	4.36 kN
Basic static load rating C_0	2.32 kN
Fatigue load limit P_u	0.1 kN
Calculation factor k_r	0.03
Calculation factor f_0	12.9
Mass bearing	0.03 kg