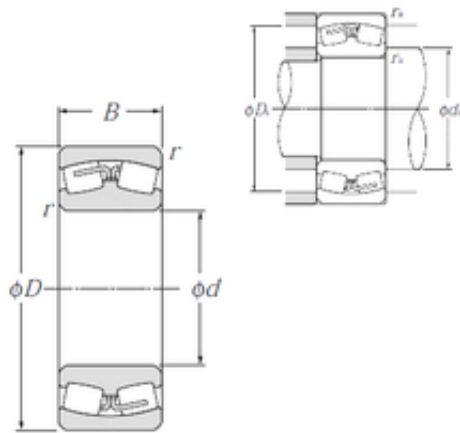




Shandong Zhongyue Precision Bearing C...



23172B Bearing 2D drawings and 3D CAD models

360 mm x 600 mm x 192 mm NTN 23172B
spherical roller bearings

Bearing No. 23172B

Size	360x600x192 mm
Bore Diameter	360 mm
Outer Diameter	600 mm
Width	192 mm
d	360 mm
D	600 mm
B	192 mm
C	192 mm
r min.	5 mm
da min.	382 mm
Da max.	578 mm
ra max.	4 mm
Weight	222 Kg
Basic dynamic load rating (C)	3 750 kN
Basic static load rating (C0)	7 050 kN
(Grease) Lubrication Speed	490 r/min
(Oil) Lubrication Speed	630 r/min
Calculation factor (e)	0,32
Calculation factor (Y0)	2,07
Calculation factor (Y1)	2,11
Category	Bearings
Inventory	0.0
Manufacturer Name	NTN
Minimum Buy Quantity	N/A
Weight / Kilogram	238



Shandong Zhongyue Precision Bearing C...

EAN	4547359283600
Product Group	B04311