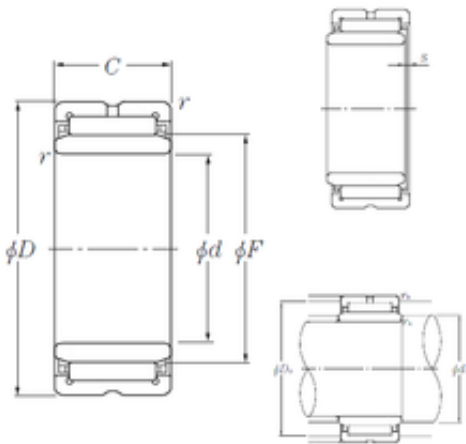




## Shandong Zhongyue Precision Bearing C...



### 35 mm x 50 mm x 30 mm NTN NK40/30R+IR35 × 40 × 30 needle roller bearings

Bearing No. NK40/30R+IR35 × 40 × 30

Size	35x50x30 mm
Bore Diameter	35 mm
Outer Diameter	50 mm
Width	30 mm
d	35 mm
F	40 mm
D	50 mm
B	30 mm
C	30 mm
r min.	0,3 mm
s	1 mm
da min.	37 mm
Da max.	48 mm
ra max.	0,3 mm
Weight	0,193 Kg
Basic dynamic load rating (C)	38,5 kN
Basic static load rating (C0)	76 kN
(Grease) Lubrication Speed	6 500 r/min

NK40/30R+IR35 × 40 × 30 Bearing 2D drawings and 3D CAD models