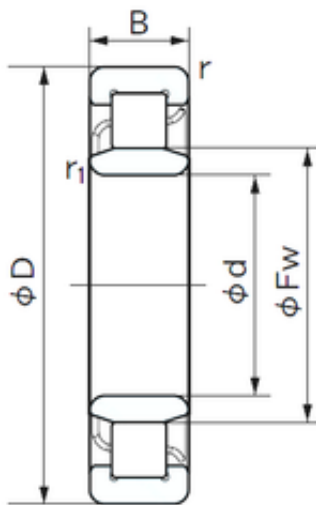




Shandong Zhongyue Precision Bearing C...



40 mm x 68 mm x 15 mm NACHI NU 1008
cylindrical roller bearings

Bearing No. NU 1008

Size	40x68x15 mm
Bore Diameter	40 mm
Outer Diameter	68 mm
Width	15 mm
d	40 mm
Fw	47 mm
D	68 mm
B	15 mm
r min.	1 mm
r1 min.	0.6 mm
Weight	0.226 Kg
Basic dynamic load rating (C)	25 kN
Basic static load rating (C0)	25,7 kN
(Grease) Lubrication Speed	9500 r/min

NU 1008 Bearing 2D drawings and 3D CAD models