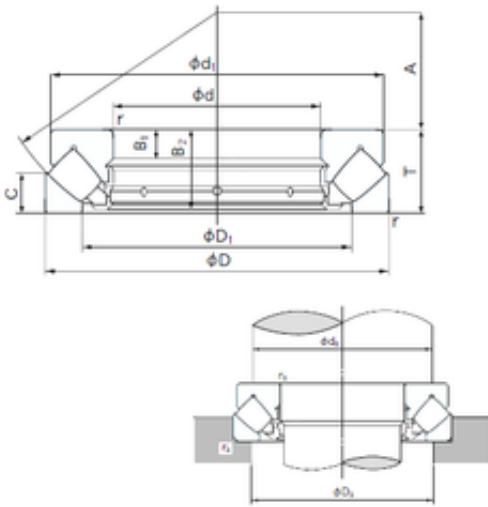




Shandong Zhongyue Precision Bearing C...

500 mm x 870 mm x 81 mm NACHI 294/500E
thrust roller bearings

Bearing No. 294/500E



294/500E Bearing 2D drawings and 3D CAD models

Size	500x870x224 mm
Bore Diameter	500 mm
Outer Diameter	870 mm
Width	224 mm
d	500 mm
D	870 mm
T	224 mm
d1	830 mm
r min.	9.5 mm
A	290 mm
B1	81 mm
B2	216 mm
C	107 mm
D1	661 mm
da min.	670 mm
Da max.	750 mm
ra max.	8 mm
Weight	559 Kg
Basic dynamic load rating (C)	8250 kN
Basic static load rating (C0)	35000 kN
Bore Type	Cylindrical Bore
Enclosure	Open
Configuration	Single Row
Bore Size	500 mm
Outside Diameter	870 mm



Shandong Zhongyue Precision Bearing C...

Fillet Radius/Chamfer	9.5 mm
Width	224 mm
Dynamic Load Rating	8,250,000 N
Static Load Rating	35,000,000 N
Limiting Speed - Oil	250 rpm
B	81 mm
da (min)	670 mm
Da (max)	750 mm
ra (max)	8 mm