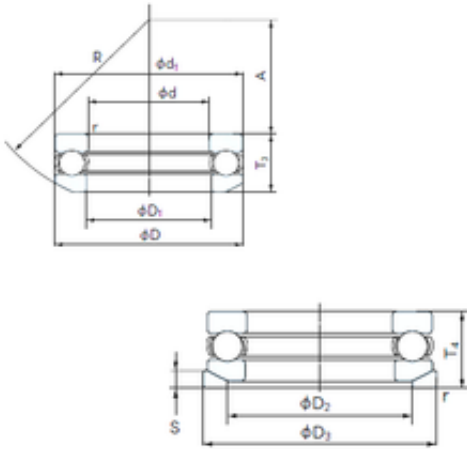




NACHI 53213U thrust ball bearings

Bearing No. 53213U



53213U Bearing 2D drawings and 3D CAD models

Size	65x100x32 mm
Bore Diameter	65 mm
Outer Diameter	100 mm
Width	32 mm
d	65 mm
D	100 mm
T	32 mm
d1	100 mm
r min.	1 mm
A	40 mm
D1	67 mm
D2	82 mm
D3	105 mm
R	80 mm
S	9 mm
Weight	0.940 Kg
Basic dynamic load rating (C)	75 kN
Basic static load rating (C0)	189 kN
(Grease) Lubrication Speed	1900 r/min