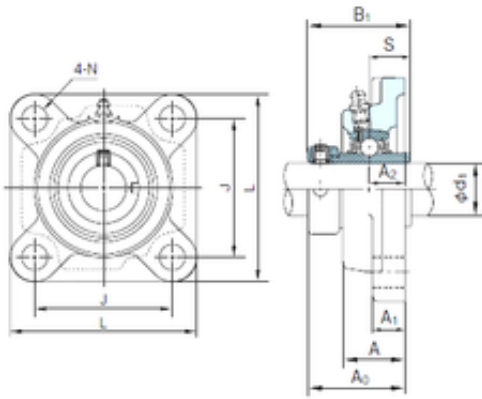




NACHI UGF208 bearing units



Bearing No. UGF208

Bore Diameter	40 mm
d1	40 mm
A0	55.9 mm
A	36 mm
A1	16 mm
B1	56.3 mm
J	102 mm
L	130 mm
N	16 mm
S	21.4 mm
Bolt (G)	M14
A2	21 mm

UGF208 Bearing 2D drawings and 3D CAD models