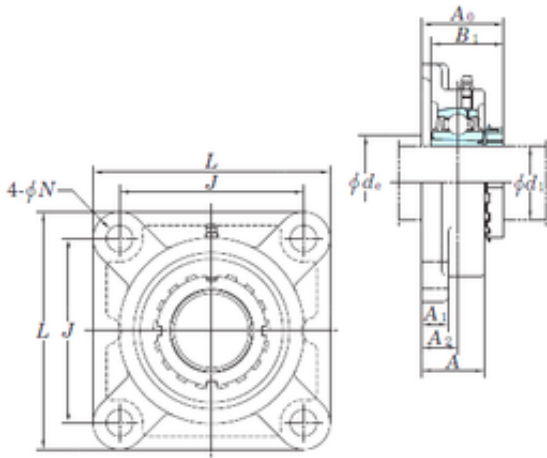




KOYO UKFX17 bearing units



Bearing No. UKFX17

Bore Diameter	76,2 mm
d	76,2 mm
A0	82 mm
d3	96 mm
A	70 mm
A1	24 mm
B1	82 mm
J	171 mm
L	214 mm
N	23 mm
Thread (G)	M20
A2	40 mm
Weight	10,4 Kg
Basic dynamic load rating (C)	96,1 kN
Basic static load rating (C0)	71,5 kN

UKFX17 Bearing 2D drawings and 3D CAD models