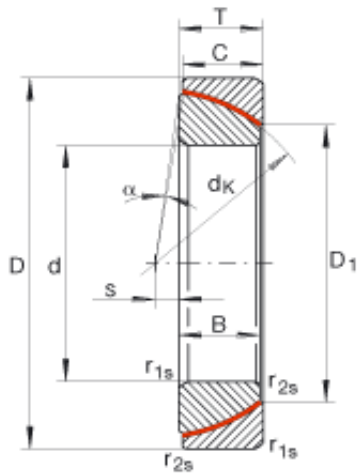




# Shandong Zhongyue Precision Bearing C...



GE45-SW Bearing 2D drawings and 3D CAD models

## INA GE45-SW plain bearings

Bearing No. GE45-SW

Size	45x75x19 mm
Bore Diameter	45 mm
Outer Diameter	75 mm
Width	19 mm
T	20 mm
C	19 mm
D <sub>1</sub>	52,9 mm
D <sub>a min</sub>	58 mm
d <sub>a max</sub>	51,7 mm
d <sub>b max</sub>	60 mm
d <sub>K</sub>	66 mm
D <sub>b min</sub>	67 mm
r <sub>1s min</sub>	0,3 mm
s	1,5 mm
alf ( ° )	1,7
Weight (kg)	0,41
C <sub>r</sub> (N)	319000
C <sub>0r</sub> (N)	532000
Category	Spherical Plain Bearings - Thrust
Inventory	0.0
Manufacturer Name	SCHAEFFLER GROUP
Minimum Buy Quantity	N/A
Weight / Kilogram	0
EAN	4012802532654



## Shandong Zhongyue Precision Bearing C...

Product Group	B04120
Component	Complete with Outer and Inner Ring
Rolling Element	Spherical Plain Bearing
Self Aligning	Yes
Material - Outer Member	Steel
Material - Ball	Steel
Material - Liner	PTFE
Enclosure	Open
Relubricatable	No
Other Features	Angular Contact   Single Direction
Long Description	45MM Bore; 75MM Housing Outside Diameter; 20MM Overall Width; Complete with Outer and Inner Ring; Spherical Plain Bearing; Self Aligning; Steel Outer Member; Steel Ball; Open Enclosure; 67MM Ball Outs
Inch - Metric	Metric
Category	Plain Bearings Spherical Thrust
UNSPSC	31171515
Harmonized Tariff Code	8483.30.80.70
Noun	Bearing
Keyword 3	Spherical
Keyword String	Plain Thrust Spherical
Manufacturer URL	<a href="http://www.ina.com">http://www.ina.com</a>
Manufacturer Item Number	GE45SW
Weight / LBS	0.948
Overall Width	0.787 Inch   20 Millimeter
Bore	1.772 Inch   45 Millimeter
Housing Width	0.748 Inch   19 Millimeter
Ball Outside Diameter	2.638 Inch   67 Millimeter



## Shandong Zhongyue Precision Bearing C...

Housing Outside Diameter	2.953 Inch   75 Millimeter
--------------------------	----------------------------