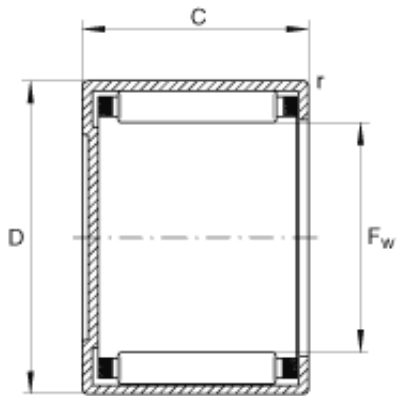




Shandong Zhongyue Precision Bearing C...



INA BCE85 needle roller bearings

Bearing No. BCE85

Size	12.7x17.462x7.938 mm
Bore Diameter	12,7 mm
Outer Diameter	17,462 mm
Width	7,938 mm
F_w	1/2 inch
F_w	12,7 mm
D	0,687 inch
D	17,462 mm
C	0,313 inch
C	7,938 mm
m	0,009 lbs / Weight
m	4 g / Weight
C_r	820 lbf / Dynamic load rating (radial)
C_r	3650 N / Dynamic load rating (radial)
C_{0r}	890 lbf / Static load rating (radial)
C_{0r}	3950 N / Static load rating (radial)
n_G	19500 1/min / Limiting speed
n_B	14200 1/min / Reference speed

BCE85 Bearing 2D drawings and 3D CAD models