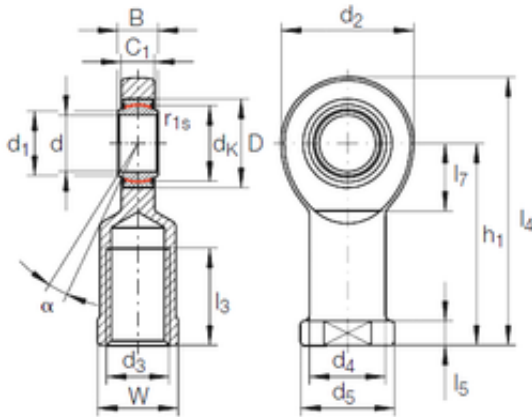




Shandong Zhongyue Precision Bearing C...

12 mm x 22 mm x 10 mm INA GIR 12 UK plain bearings



GIR 12 UK Bearing 2D drawings and 3D CAD models

Bearing No. GIR 12 UK

Size	12x22x10 mm
Bore Diameter	12 mm
Outer Diameter	22 mm
Width	10 mm
d	12 mm
D	22 mm
B	10 mm
d1	14,9 mm
d2	34 mm
d4	17,5 mm
dk	18 mm
h1	50 mm
l3 min.	23 mm
l4 max.	67 mm
l5	6,5 mm
l7 min.	18 mm
r1 min.	0,3 mm
C1	8 mm
W	19 mm
Thread (G)	M12
Angle	11 °
d5	22 r/min
Weight	0,096 Kg
Basic dynamic load rating (C)	11,4 kN