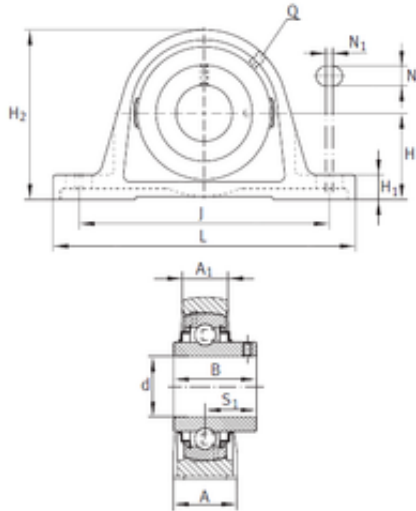




Shandong Zhongyue Precision Bearing C...



RASEY1-11/16 Bearing 2D drawings and 3D CAD models

INA RASEY1-11/16 bearing units

Bearing No. RASEY1-11/16

Bore Diameter	42,863 mm
d	42,863 mm
S1	30,201 mm
Thread (Q)	1/8 NPT
A	51,791 mm
A1	35,002 mm
B	49,2 mm
H	54,001 mm
H1	21,997 mm
H2	107,011 mm
J	148,489 mm
L	195 mm
N	14,301 mm
N1	11,989 mm
Category	Pillow Block Bearings
Inventory	0.0
Manufacturer Name	SCHAEFFLER GROUP
Minimum Buy Quantity	N/A
Weight / Kilogram	2.551
Product Group	M06110
Number of Mounting Holes	2
Mounting Method	Set Screw
Housing Style	2 Bolt Pillow Block
Rolling Element	Ball Bearing
Housing Material	Cast Iron
Expansion / Non-expansion	Non-expansion



Shandong Zhongyue Precision Bearing C...

Relubricatable	Yes
Insert Part Number	GY1111KRRB
Seals	Double Land Riding Rubber Contact
Housing Configuration	1 Piece Solid
Inch - Metric	Inch
Other Features	Single Row Standard Shaft Height
Long Description	2 Bolt Pillow Block; 1-11/16" Bore; 2-1/8" Base to Center Height; Set Screw Mount; Ball Bearing; 5-3/8" Minimum Bolt Spacing; 6.319" Bolt Spacing Maximum; Relubricatable; Cast Iron
Category	Pillow Block
UNSPSC	31171511
Harmonized Tariff Code	8483.20.40.40
Noun	Bearing
Keyword String	Pillow Block
Manufacturer URL	http://www.ina.com
Manufacturer Item Number	RASEY1-11/16
Weight / LBS	5.29
Length Thru Bore	1.937 Inch 49.2 Millimeter
Nominal Bolt Center to Center	5.8 Inch 146.5 Millimeter
Bolt Spacing Maximum	6.319 Inch 160.5 Millimeter
Base to Center Height	2.125 Inch 53.98 Millimeter
Actual Bolt Center to Center	0 Inch 0 Millimeter
Bore	1.688 Inch 42.875 Millimeter
Bolt Spacing Minimum	5.374 Inch 136.5 Millimeter